

PRELIMINARY



119 kW



27 t



11 m



MAX CAB

723E

Mobile material handling machine

TIER IVf emission standards

723E Further developed. The E-Series.



1974: Timber handling machine with elevated cab

The characteristics of the E-Series

- 60 years of experience in the design and construction of hydraulic material handling machines
- Uncompromising high-performance in all areas: Focus on material handling
- Technology that can be mastered: High-quality components and avoidance of over-engineering
- Long product service life and high value retention

Your most important advantages:

1 Green Efficiency
Save fuel - lower operating costs
Quiet work - easy on the operator and on the environment



2 Performance at the highest level
Robust mechanical engineering - stressed parts optimized
High speeds - high safe working loads

3 Maximum operating comfort
Maxcab comfort cab - relaxed work
SENCON - SENNEBOGEN Control System



4 Maximum safety
Safe entry and exit - non-slip step surfaces
Modern cameras - the entire work area is in view

5 Maintenance and service made easy
Easy fault diagnosis - central measuring points
Easy maintenance - clear labelling

6 Consultation and support
3 production locations - 2 subsidiaries
120 sales partners - more than 300 service support points

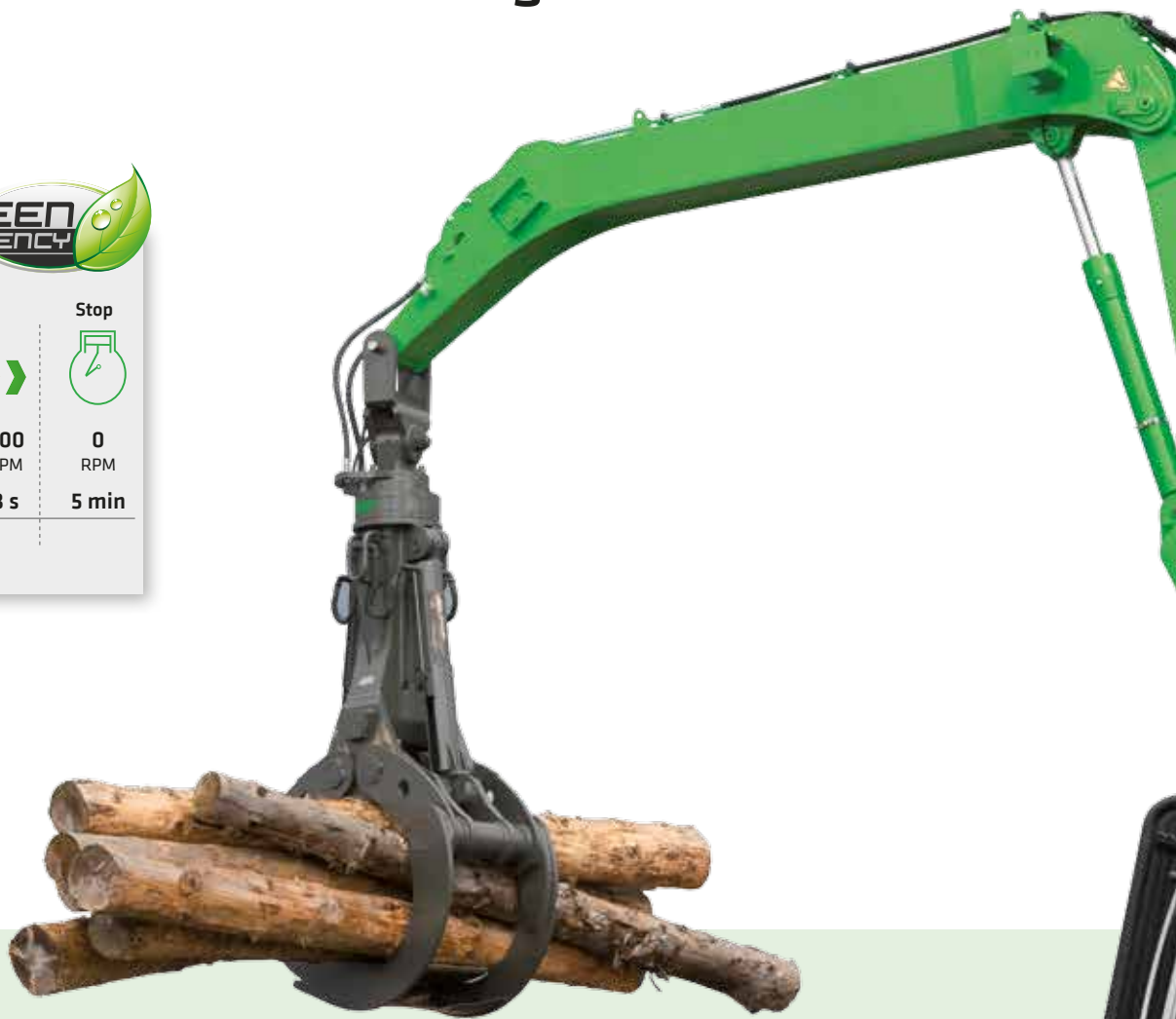




723E The timber handling machine



Work	Idle	Stop
		
1800 ECO RPM	1400 RPM 800 RPM	0 RPM
0 s	5 s 8 s	5 min



Fully equipped standard

Optimal performance

- Powerful drives for high driving and handling performance, even for blended movements
- Large hydraulics and perfectly tuned cooling for ideal working conditions

Small ballast - compact dimensions

- Low front and rear radius for optimal maneuverability, especially in tight spaces
- High safe working loads with low deadweight

Perfect overview

- Stable cab height elevation up to 1.0 m or 1.5 m (option)
- Right and rearview cameras

Powerful, automotive driving

- Robust undercarriage with 2 powerful, quiet travel motors
- Can pull up to 20 t
- Maximum driving convenience with parking brake and automatic brake release
- Driver assist systems to automatically detect and switch direction of travel and direction of steering
- Top stability thanks to 8 tires

Green Efficiency

- Complies with Emission Standard IV, DEF clean exhaust technology
- Economical thanks to EcoMode, automatic idle and automatic start-stop



Pick & Carry machine
with low operating weight



Less fuel consumption
and yet high performance



SAVE COSTS

Maximum safety

- Robust, all-round protective grating for cab
- Safe access to cab and upper-carriage thanks to stable grip handles and no-slip surfaces
- Sliding door for convenience and safety
- Stable railing on uppercarriage

723E The E-Series. Pure comfort.

Maxcab comfort cab

- Air-suspension comfort seat with heater
- Convenient joystick control
- Sliding door, platform in front of cab
- Color monitor for right side and rear-facing camera feeds
- SENNEBOGEN OptiMode: Various modes to optimize performance



Driver comfort

- No-slip access ladders for safely accessing the machine
- Sliding door makes entering and exiting easy and safe
- Pleasant work environment thanks to low noise emissions



Automatic climate control

- Consistently pleasant cab climate thanks to 10 evenly distributed air vents
- Central controls make operation easy



SENCAN

- Clear menu
- Determine operating values without the need for additional instruments
- Fast troubleshooting thanks to detailed messages

723E Maintenance and service made easy



Optimized for maintenance

- Fast and easy troubleshooting thanks to straightforward and clearly labeled electrical distributor
- Easy access to all service points on the machine
- Automatic central lubrication for equipment, undercarriage and slewing gear raceway



HydroClean*

- Optimal protection of hydraulic components thanks to 3 µm micro-filter
- Cleaner hydraulic oil, extended oil service life



Central reading points

- Easily accessible, central reading points
- Quickly inspect entire hydraulic system



Clear labeling

- All parts labeled with a unique part number
- Easy and reliable spare parts ordering

* optional

723E Technical data, equipment

MACHINE TYPE

Model (type) **723**

ENGINE

Power	723 MHD: 119 kW/160 hp at 2200 rpm
Model	Cummins QSB 4.5 TIER III / IVi / IVf Direct injection, turbo charged, charge air cooler, reduced emissions, Eco Mode, idle automation, stop automation
Cooling	Water-cooled
Air filter	Dry air filter with cyclonic pre-filter, safety element, contamination indicator
Fuel tank	330 l
Electrical system	24 V
Batteries	2 x cold-start high-performance batteries
Options	<ul style="list-style-type: none"> ■ Engine block heater for temperatures below -20 °C ■ Electric fuel pump ■ Jump-start terminals

UPPERCARRIAGE

Design	Torsion-resistant upper frame with end shields all the way from boom linkage to counterweight for optimized force transmission, precision-crafted steel bushings for boom bearings, lockable storage compartment, outstanding design, very low noise emissions
Central lubrication	Automatic central lubrication for equipment and slewing gear raceway
Electrical system	Central electrical distributor, battery disconnect switch
Safety	Right and rearview cameras
Options	<ul style="list-style-type: none"> ■ Slewing gear brake via foot pedal ■ Peripheral uppercarriage railing for additional safety ■ LED lighting package ■ Fire extinguisher ■ Special paint finish ■ Electric hydraulic tank preheater with uppercarriage power socket ■ Low-temperature package (oils, battery heater, hydraulic oil preheater, cab preheater, engine preheater) ■ Welded bump protector at uppercarriage sides and at front right ■ Emergency control of main functions

HYDRAULIC SYSTEM

Load-sensing/LUDV hydraulic system for work and travel functions	
Pump type	Swashplate-type variable-displacement piston pump, load pressure-independent flow distribution for simultaneous, independent control of work functions
Pump control	Zero-stroke control, on-demand flow control – the pumps only pump as much oil as will actually be used, pressure purging load limit sensing control
Operating pressure	max. 350 bar
Filtration	High-performance filtration with long change interval
Hydraulic tank	260 l
Control system	Proportional, precision hydraulic actuation of work movements, 2 hydraulic servo joysticks for the work functions, additional functions via switches and foot pedals
Safety	All hydraulic circuits secured with safety valves, hydraulic accumulator for emergency lowering of attachment and cab in the case of engine failure, pipe-fracture safety valves for stick and hoist cylinders
Options	<ul style="list-style-type: none"> ■ SENNEBOGEN HydroClean 3-µm hydraulic microfilter system ■ Bio-oil – environmentally friendly

SLEWING DRIVE

Gearbox	Planetary gearbox with axial piston motor and integrated brake valves
Parking brake	Spring-loaded, hydraulically vented safety multi-disk brake
Slewing ring	Large dimensioned slewing ring
Slewing speed	0-8 rpm, variable Hydraulic brake valves integrated into motor ensure wear-free braking.

723E Technical data, equipment

CAB MAX CAB

Cab type	Rigid cab height elevation 1 m
Cab equipment	Sliding door, excellent ergonomics, climate automation, seat heater, air-suspension comfort seat, fresh air filter / circulating air filter, joystick steering, 12 V / 24 V connections, SENCON V2, full protective grating
Options	<ul style="list-style-type: none"> ■ Auxiliary heating system with timer ■ Steering wheel with adjustable steering column ■ Sliding window in operator door ■ Armored glass windshield, additional safety ■ Armored glass roof window, additional safety ■ Rolling shade for roof window and windshield ■ Radio and CD player with speakers ■ Hydraulic folding rigid cab elevation

ATTACHMENTS

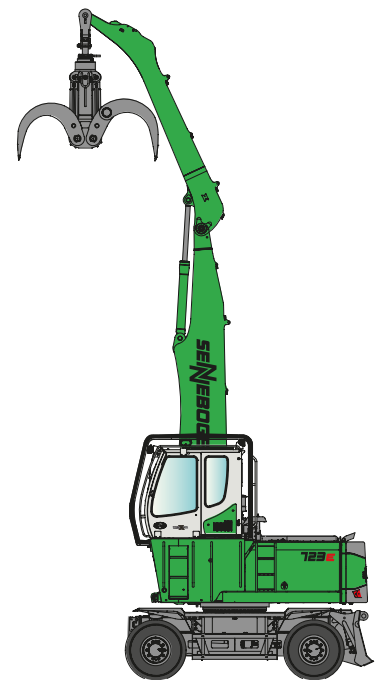
Design	Sealed and soiling-protected box design with oversized bearing points for long service life. Oversized bearing points with low-maintenance, sealed special bushings, precision-crafted
Cylinders	Special hydraulic cylinder with hydraulic end position damping, optimized kinematics for high lifting power. The material handling attachment is specifically designed for high-performance applications.
Central lubrication	Automatic central lubrication system
Options	<ul style="list-style-type: none"> ■ Ball valves on the hydraulic lines - open and close grapple ■ Multi-coupling ■ Boom suspension system

UNDERCARRIAGE

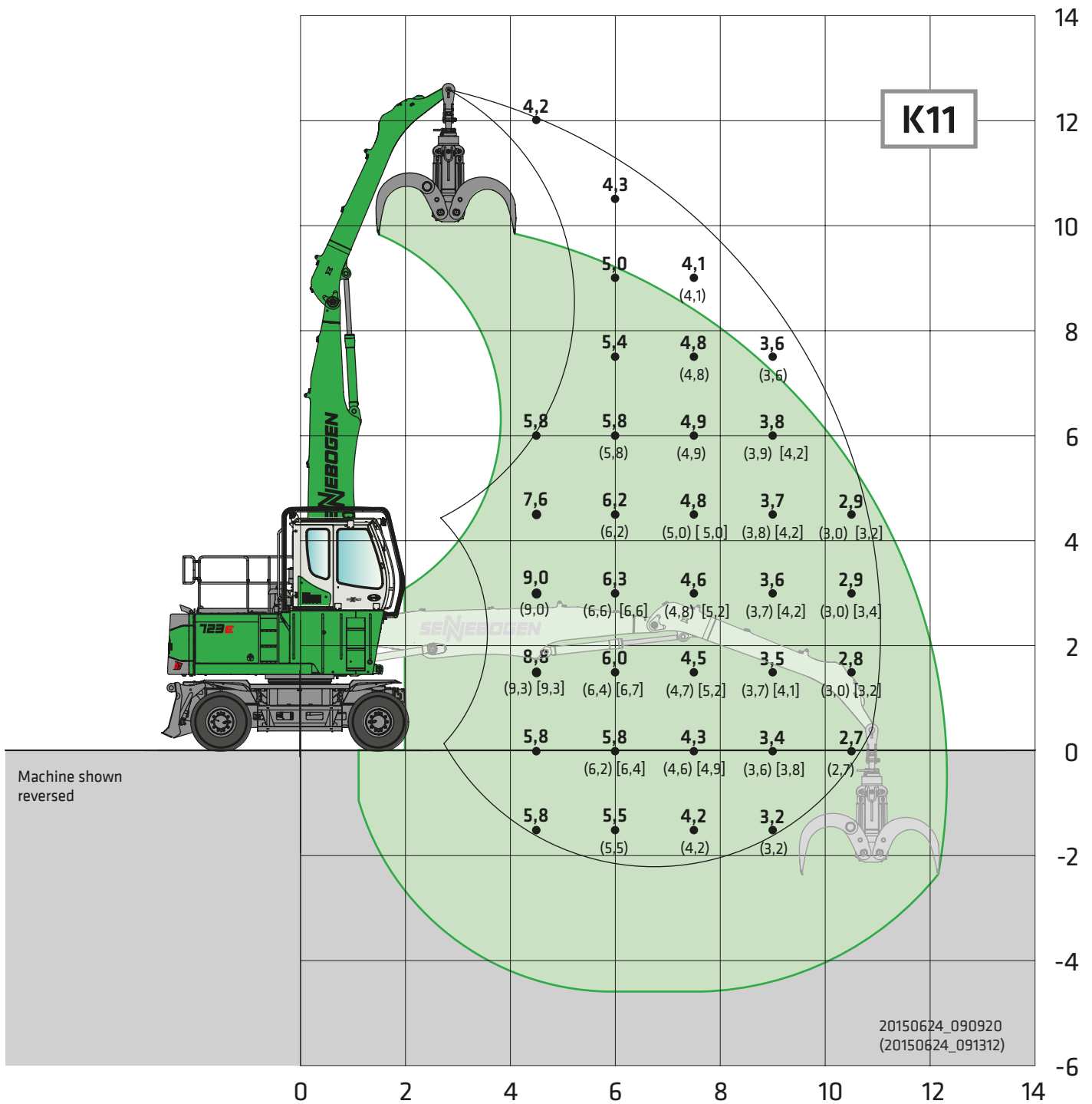
Design	Robust mobile undercarriage, box design, type MF33E
Drive	All-wheel drive powered by a variable-displacement hydraulic motor with direct-mounted, automatically actuated brake valve and 2-stage power shift transmission. Strong planetary axles with integrated steering cylinder, 2-circuit multi-disk service brake. Travel drive protection
Parking brake	Spring-loaded multi-disk brake
Tires	12.00-20, 8 off
Speed	Stage I: 0-5.5 km/h ; Stage II: 0-20 km/h
Options	<ul style="list-style-type: none"> ■ Dozer blade, one side or two sides ■ Preparation for trailer hitch ■ Fenders

OPERATING WEIGHT

Mass	Approx. 27,000 kg Base machine 723 E with dozer blade including 1.25-m ² grapple
Notice	Operating weight varies by model and equipment.



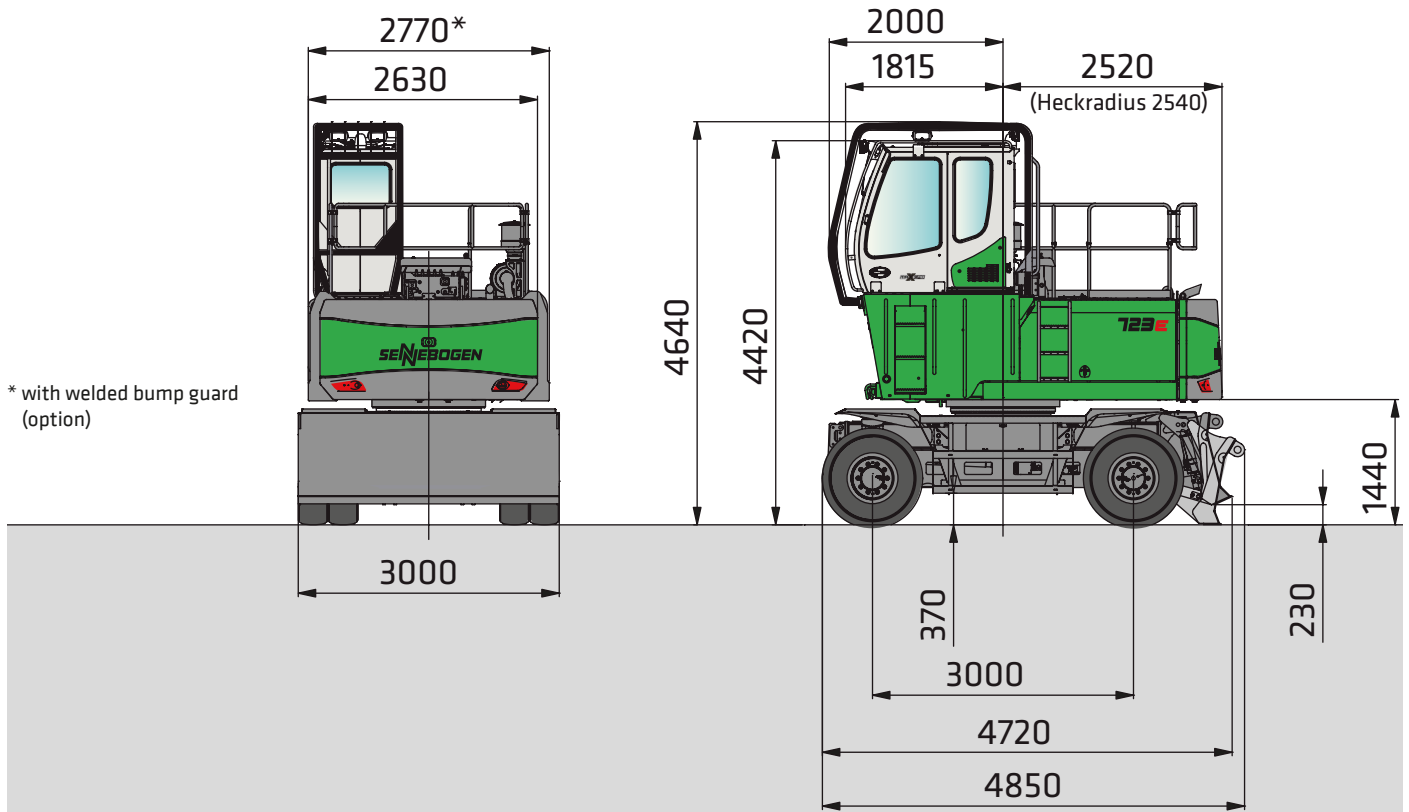
723E Load ratings



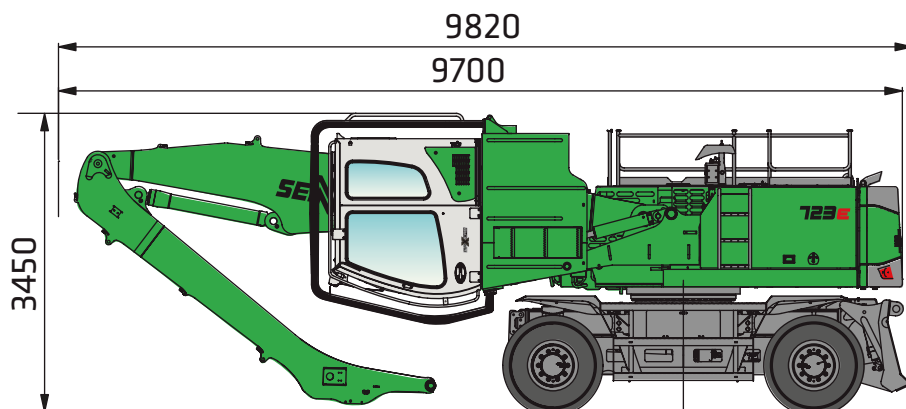
Undercarriage	MF33E	Compact boom	6.3 m	4.6 m	Maxcab, 1 m rigid elevation
		Dipper stick		Cab	

All load ratings are specified in tons (t) and apply at the end of the stick, without attachment, on a load-bearing, solid and level ground. Attachments such as grapple, load hook, et cetera are part of the specified load ratings. The specified values apply to stationary operation at a work range of 360°, on wheels without outrigger support and with blocked pendulum axle. The values in square brackets [] apply to stationary operation at an uppercarriage position longitudinal to the undercarriage, on wheels, without outrigger support, and with blocked pendulum axle. In accordance with ISO 10567, these values represent 75 % of the static tipping load or 87% of the hydraulic lifting force. The values in parentheses () apply to mobile operation at an uppercarriage position longitudinal to the undercarriage, on wheels, and activated pendulum axle. In accordance with DIN EN 474-5 these values represent 60 % of the static tipping load. If the machine is operated in stationary mode in hoist implementation, then in accordance with DIN EN 474-5, the machine must be equipped with pipe fracture safety devices on the hoist cylinders of the boom and an overload warning device.

723E Dimensions

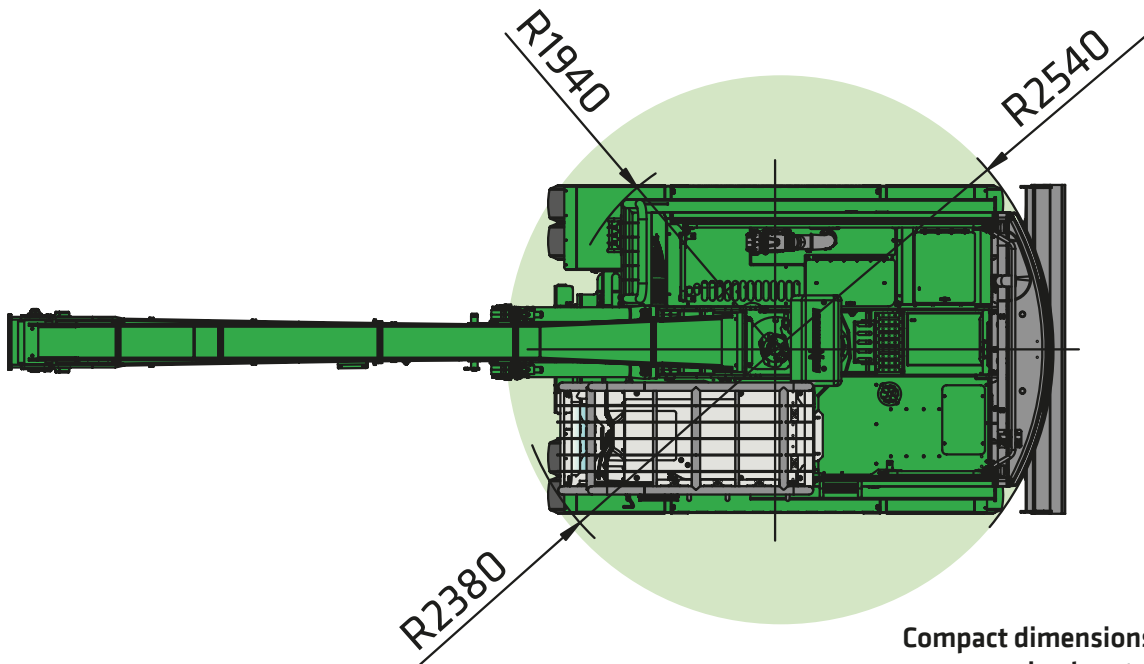


723 MHD with 1 m rigid forward-folding cab, undercarriage type MF33E



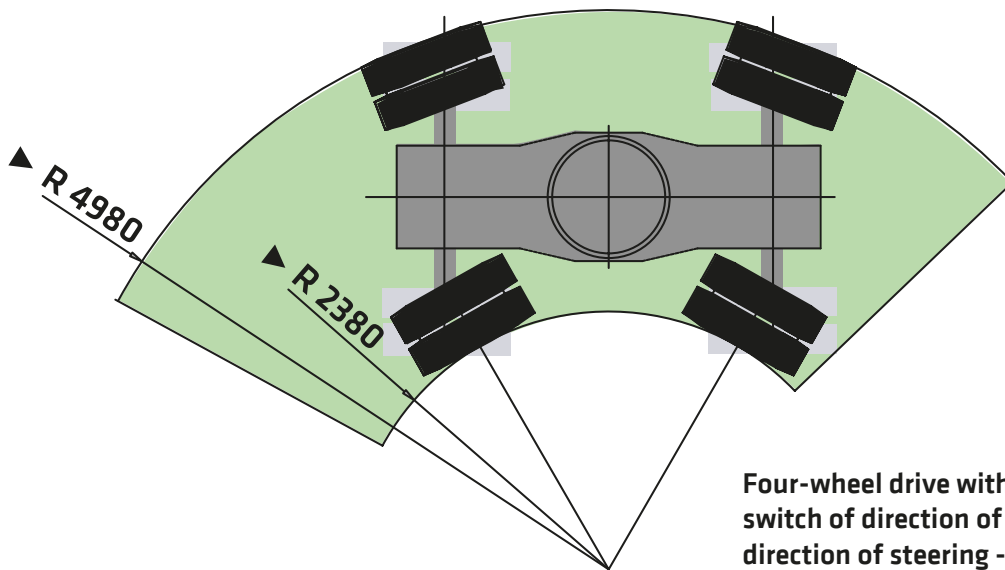
723 MHD transport dimensions

723E Dimensions



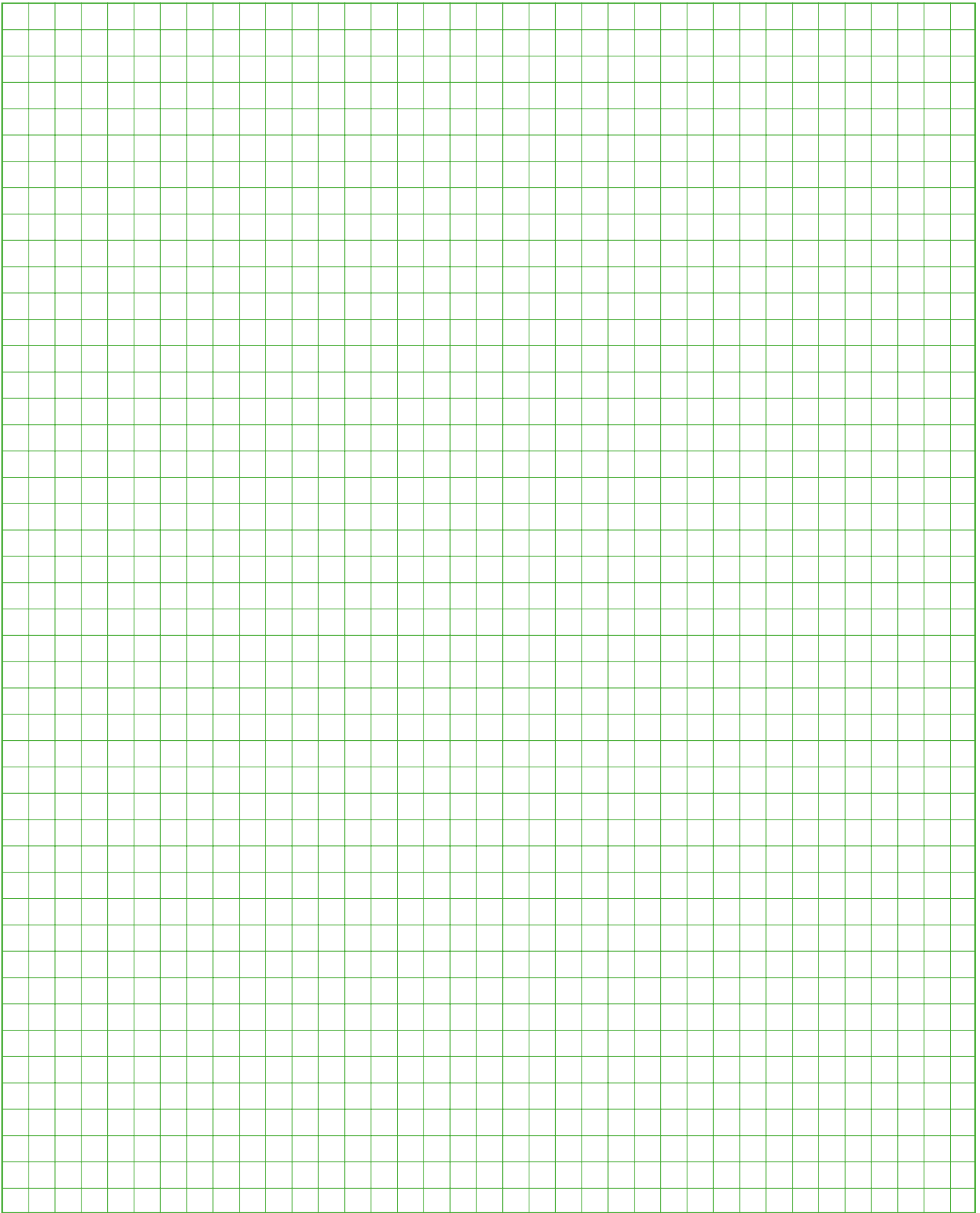
Compact dimensions for more storage area meaning less traffic areas!
 Compact upper carriage dimensions for the use in confined areas. Space saving, optimal maneuverability and safety.

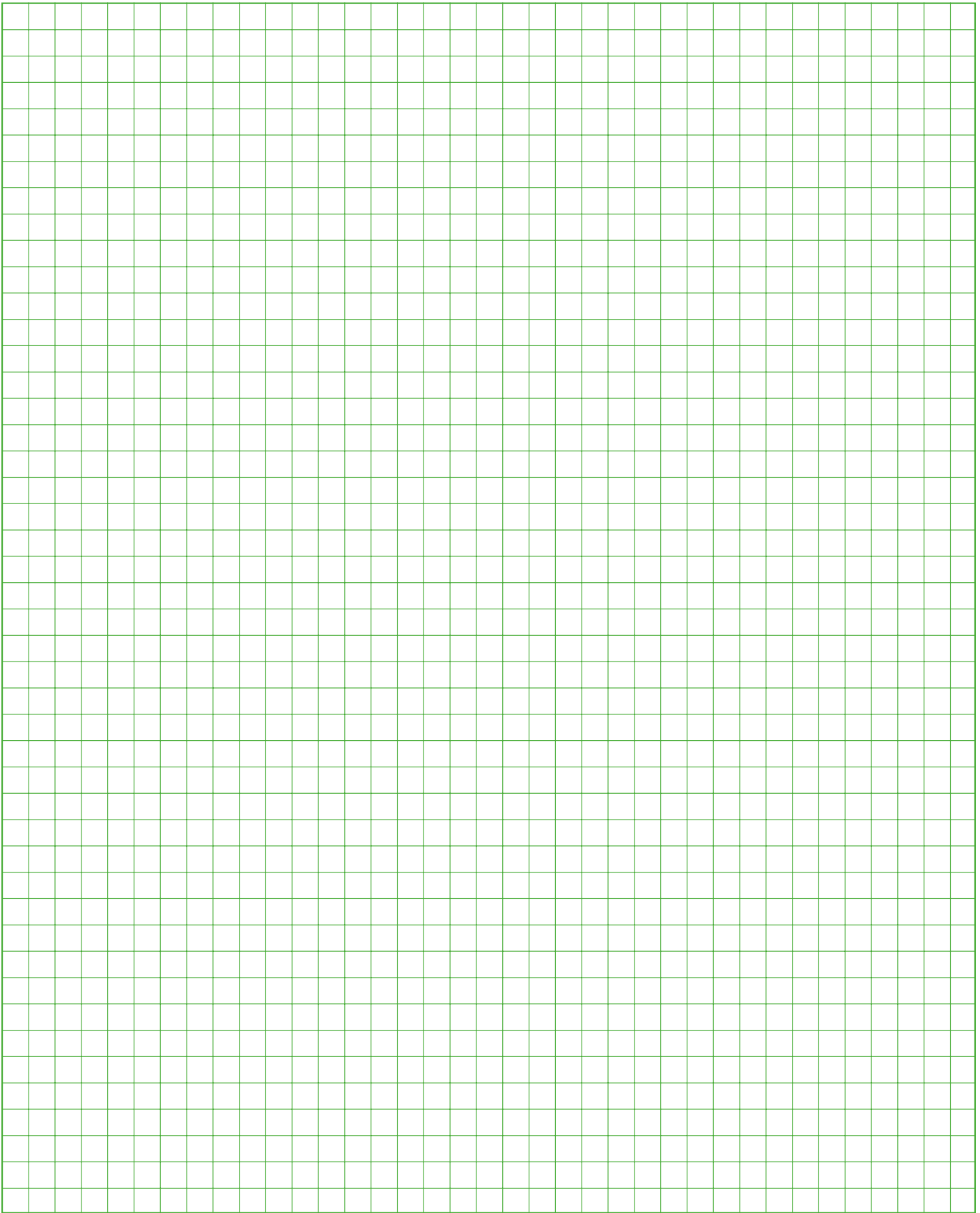
723 MHD Slewing radius

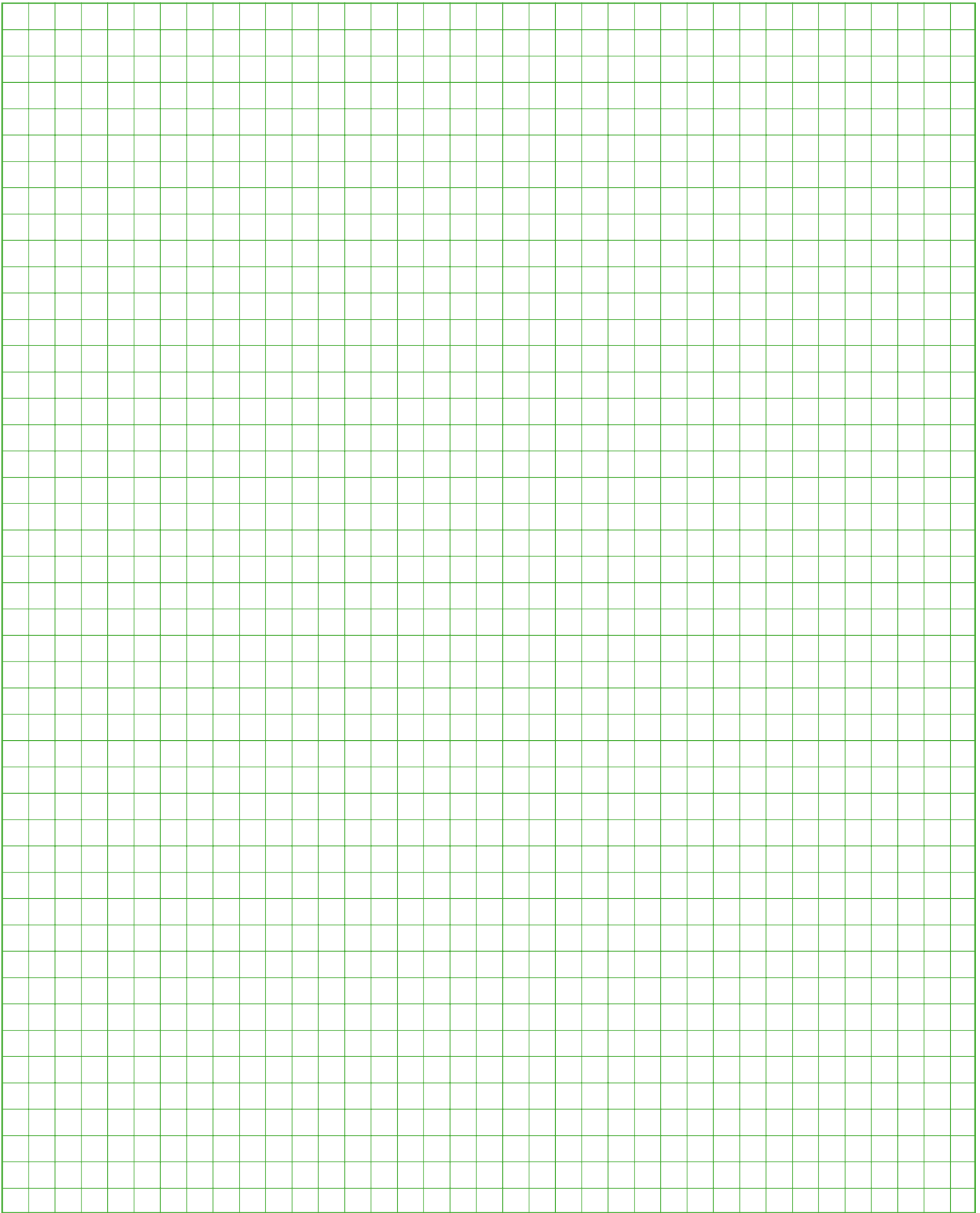


Four-wheel drive with automatic switch of direction of travel and direction of steering - easy and safe operation for maximum efficiency.

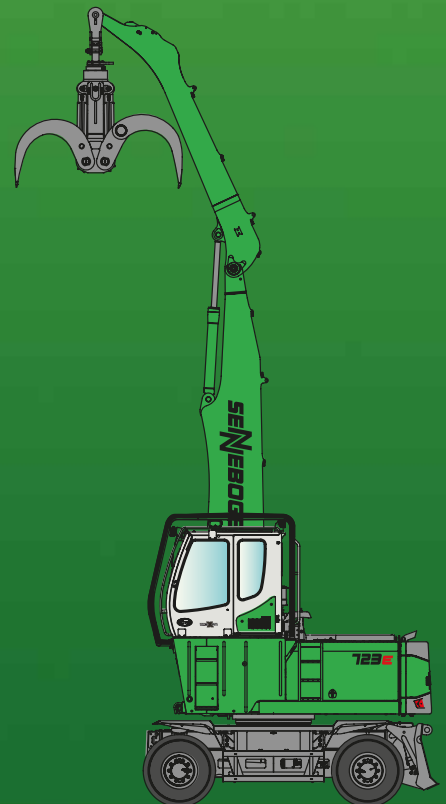
723 MHD Turning radius







723E



This catalog describes machine models, scopes of equipment of individual models, and configuration options (standard equipment and optional equipment) of the machines delivered by SENNEBOGEN Maschinenfabrik. Machine illustrations can contain optional equipment and supplemental equipment. Actual equipment may vary depending on the country to which the machines are delivered, especially in regard to standard and optional equipment.

All product designations used may be trademarks of SENNEBOGEN Maschinenfabrik GmbH or other supplying companies, and any use by third parties for their own purposes may violate the rights of the owners.

Please contact your local SENNEBOGEN sales partner for information concerning the equipment variants offered. Requested performance characteristics are only binding if they are expressly stipulated upon conclusion of the contract. Delivery options and technical features are subject to change. Errors and omissions excepted. Equipment is subject to change, and rights of advancement are reserved.

© SENNEBOGEN Maschinenfabrik GmbH, Straubing, Germany. Reproduction in whole or in part only with written consent of SENNEBOGEN Maschinenfabrik GmbH, Straubing, Germany.

SENNEBOGEN

SENNEBOGEN
Maschinenfabrik GmbH
Sennebogenstrasse 10
94315 Straubing, Germany

Tel. +49 9421 540-144/146
Fax +49 942143 8-82
marketing@sennebogen.de

Order no. / Item no. 195267
723MH-E-0715w

GO FOR GREEN

 www.sennebogen.com